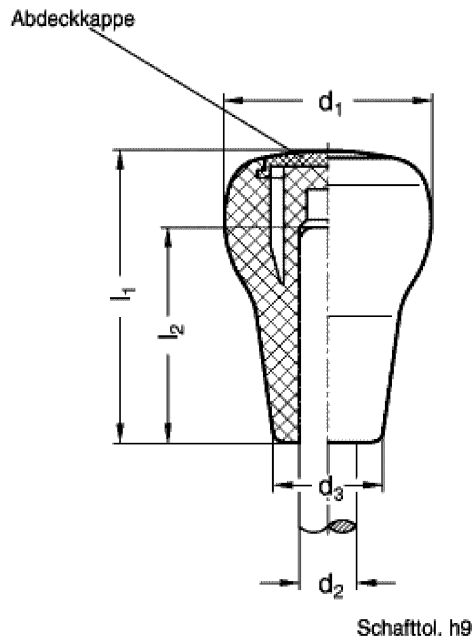


## GN 718 Mushroom shaped handles



Type **S** with black cap

d1            d2  
**45**            **B10**

### Specification

Plastic Technopolymer  
Elastomer (TPE)  
semi-hard, 40 Shore D  
Temperature resistant up  
to 80° C

black, matt

transparent sight cap  
with magnifying effect

Positioning symbols  
on self adhesive foil  
printed in silver-grey /  
black

ISO-Fundamental tolerance  
series DIN ISO 286  
(Extract from Part 2)

Elastomer characteristics

Type **T** with transparent cap

t1            t2  
64            50

### How to order

ELESA-Mushroom shaped  
handle

### GN 718-45-B10-S

Code no.        **718**  
d1                **45**  
d2                **B10**  
Type              **S**

### Information

By using mushroom type handles GN 718 a  
threaded shaft is not required.

These knobs are forced into position with a  
plastic type hammer. The end of the shaft  
should be slightly rounded or phased.  
The knobs are seated to be vibration proof  
and they can be removed and replaced as  
required.

The semi-hard plastic material used, coupled  
with the shape of the handle, makes it very  
operator friendly.

The transparent cap (Type T) is used when  
information is required regarding specific  
lever positions.  
After the handle has been mounted, the  
symbol foil is inserted or glued into the cap  
prior to being soft hammered into the recess.

Since the symbol is in direct contact with the  
cap, it is protected against ingress of dirt or  
liquids.